

Wall slab fine stone tile



The HT wall slabs are self-supporting wall elements for the interior finishing of rooms, which can be set up without substructure. Their core consists of an ultra-light composite plate and a 1 mm thick steel / stainless steel planking on both sides. The additional application of fine stone tile on one or both sides creates wall elements with aesthetically and hygienically high-quality surfaces. With a wide range of decors and colors,

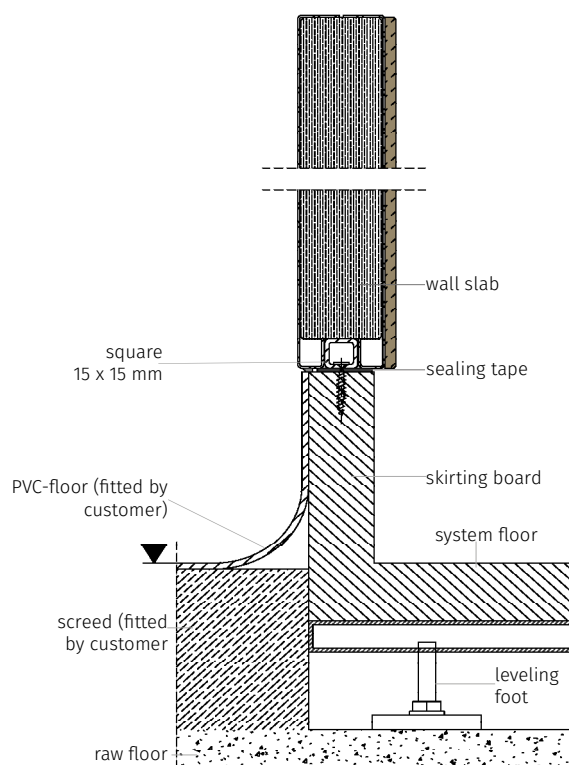
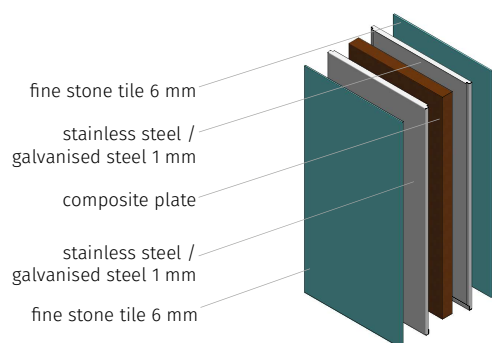
an aesthetically sophisticated and homely atmosphere can be created. The macroscopically smooth and non-porous surface is resistant to living organisms and chemical substances, as well as resistant to all cleaning agents and disinfectants commonly used in hospitals. The joint distance between two wall elements is 6 mm.

Dimensions

Width	max. 1250 mm
Height	max. 3200 mm
Thickness	45 - 65 mm
Fine stone tile	6 mm thick

Structure

Wall slab	consisting of fine stone tile 6 mm and support panel of 1 mm sheet steel with composite plate in the core
-----------	---



Wall slab fine stone tile

Technical data

Material (surface)	fine stone tile 6 mm
Material (support panel)	galvanised steel / stainless steel on composite plate
Surface	depending on type of tile
Colour design	depending on type of tile

Special fittings; supplementary items

Lead insert	0.5 - 2 mm lead
-------------	-----------------