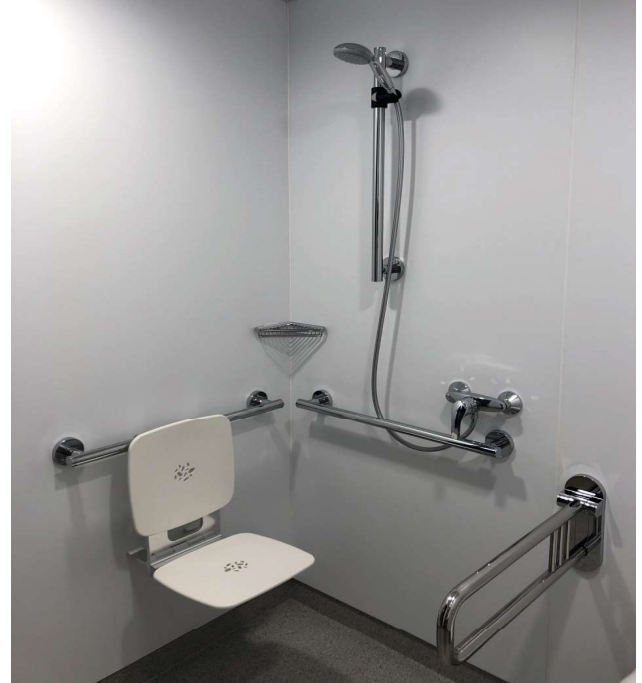


## Wall slab metal



The HT wall slabs are self-supporting wall elements for the interior finishing of smaller rooms, which can be set up without substructure. Their core consists of an ultra-light composite plate and a planking of coated steel with a thickness of 1mm on both sides. The macroscopically smooth and non-porous

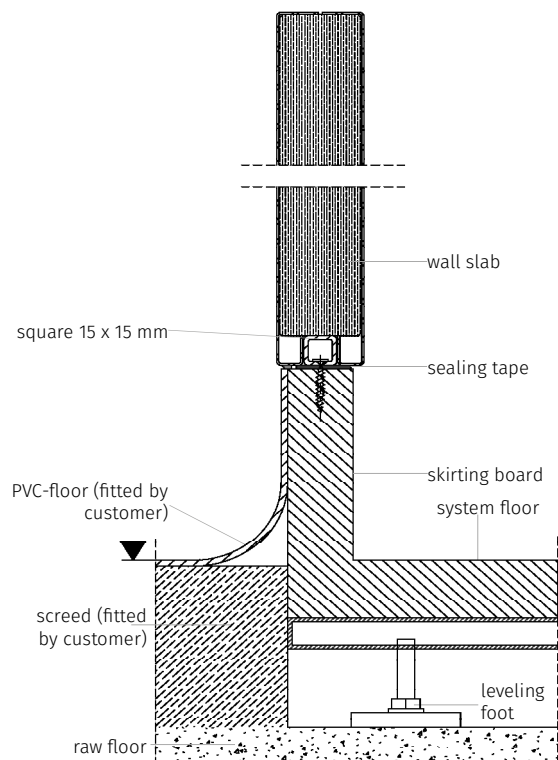
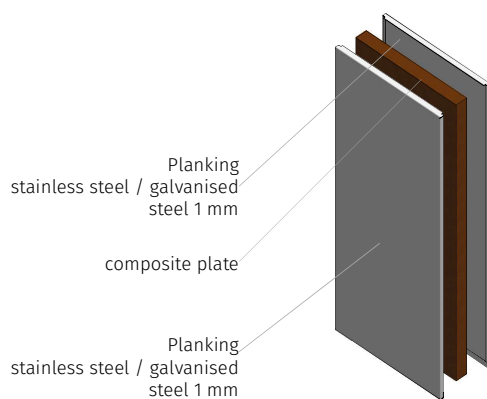
surface is resistant to living organisms and chemical substances, as well as resistant to all cleaning agents and disinfectants commonly used in hospitals. The joint distance between two wall elements is 6 mm.

### Dimensions

Width	max. 1250 mm
Height	max. 3200 mm
Thickness	40 - 60 mm

### Structure

Wall slab	consisting of 1 mm stainless steel or galvanised steel with composite plate in the core
-----------	-----------------------------------------------------------------------------------------



## Wall slab metal

### Technical data

Material (formwork)	stainless steel (Mat. no. 1.4301)	galvanised steel DX52D + ZM (Mat.no 1.0350)
Material (core)	composite plate	composite plate
Surface		
standard	ground	white foil-coated like RAL 9016
optional	powder-coated according to colour chart RAL or NCS; antimicrobial additive	powder-coated according to colour chart RAL or NCS; antimicrobial additive

### Special fittings; supplementary items

Lead insert	0.5 - 2 mm lead
-------------	-----------------