

Overflow opening for metal, glass and Impact panels



The overflow opening enables the incoming air supply for the OR adjoining rooms to come from the incoming air of the operating room. A removable particulate filter is located on the

side facing the OR of the overflow unit which is completely made of stainless steel. Flush installation into any wall system is possible.

Dimensions

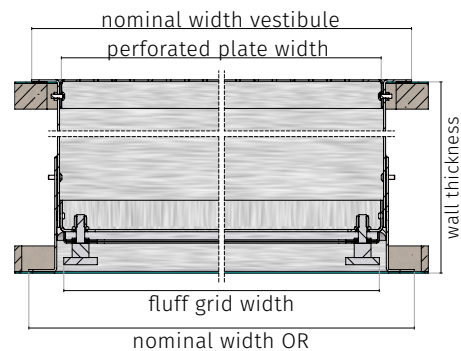
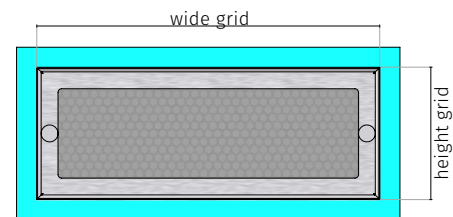
Installation height	dependent on the room arrangements
Channel cross-section	dependent on the amount of air to be discharged
Wall thickness	at least 100 mm
Particulate filter (w x h)	dependent on the channel cross-section and the amount of air to be discharged

Exhaust air shaft (stainless steel V2A)

Wall element	any HT wall system
Installation	flush with the panel walls

Lint grid

Lint grid	made of stainless steel V2A with wire mesh removable
Nominal air flow rate	see chart



Height B [mm]	Width A [mm]					
	225	325	425	525	625	725
125	58	98	140	180	220	262
225	190	325	450	580	705	838
325	325	540	760	980	1200	1430
425	450	760	1075	1380	1700	2005

This chart shows the air volume in m³/h. Related to the nominal dimension with width A and height B.

Incoming flow velocity	2.5 m/s
Pressure loss	65 Pa

Overflow opening for metal, glass and Impact panels

Material and surface treatment

Disinfection	resistant against disinfectant and hospital detergents
--------------	--

Special equipment

Sound isolation	Z-duct version
-----------------	----------------

Radiation protection	Z-duct version
----------------------	----------------
