

Wall slab metal



The HT wall slabs are self-supporting wall elements for the interior finishing of rooms, which can be set up without substructure. Their core consists of an ultra-light composite plate and a planking of coated steel with a thickness of 1 mm on both sides. The macroscopically smooth and non-porous surface is

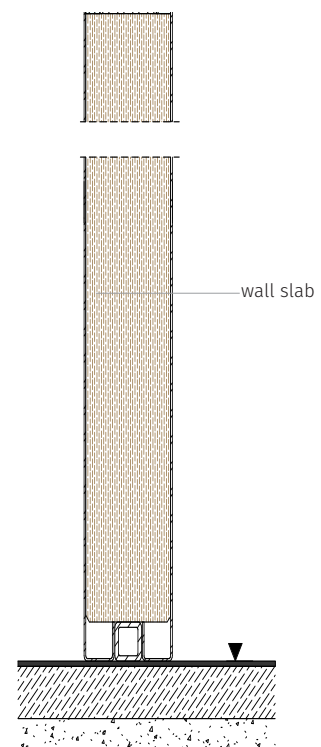
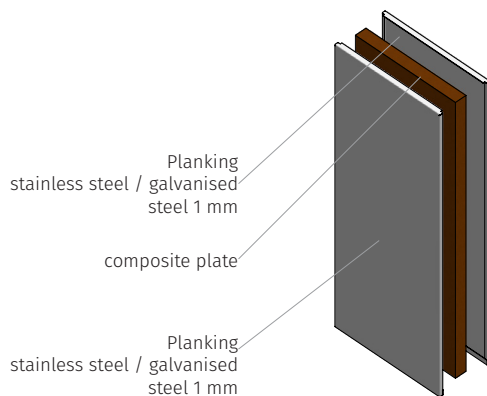
resistant to living organisms and chemical substances, as well as resistant to all cleaning agents and disinfectants commonly used in laboratories. The joint distance between two wall elements is 6 mm.

Dimensions

Width	max. 1250 mm
Height	max. 3200 mm
Thickness	40 - 60 mm

Structure

Wall slab	consisting of 1 mm stainless steel or galvanised steel with composite plate in the core
-----------	-----------------------------------------------------------------------------------------



Wall slab metal

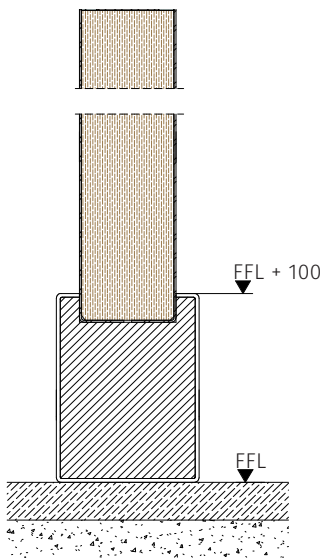
Technical data

Material (formwork)	stainless steel (Mat. no. 1.4301)	galvanised steel
Material (core)	composite plate	composite plate
Surface		
standard	ground	white pre-coated 150µm similar to RAL 9016
optional	powder-coated according to colour chart RAL or NCS; antimicrobial additive	powder-coated according to colour chart RAL or NCS; antimicrobial additive

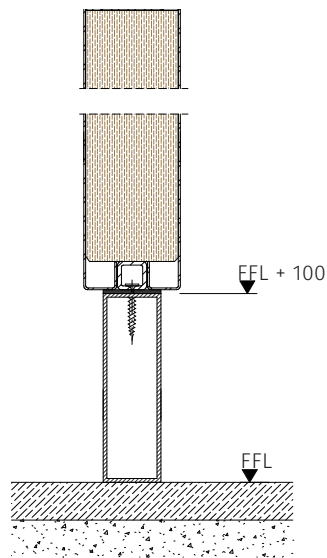
Special fittings; supplementary items

Lead insert	0.5 - 2 mm lead
-------------	-----------------

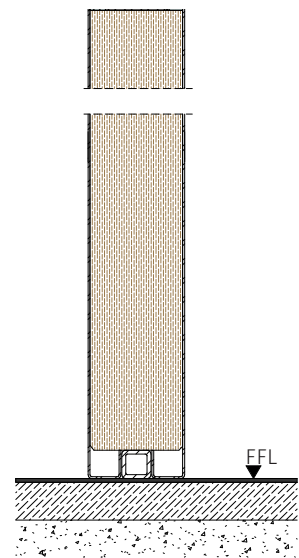
Variants floor connection



External base serves
as collision protection



Internal plinth to create a cove



Without socket